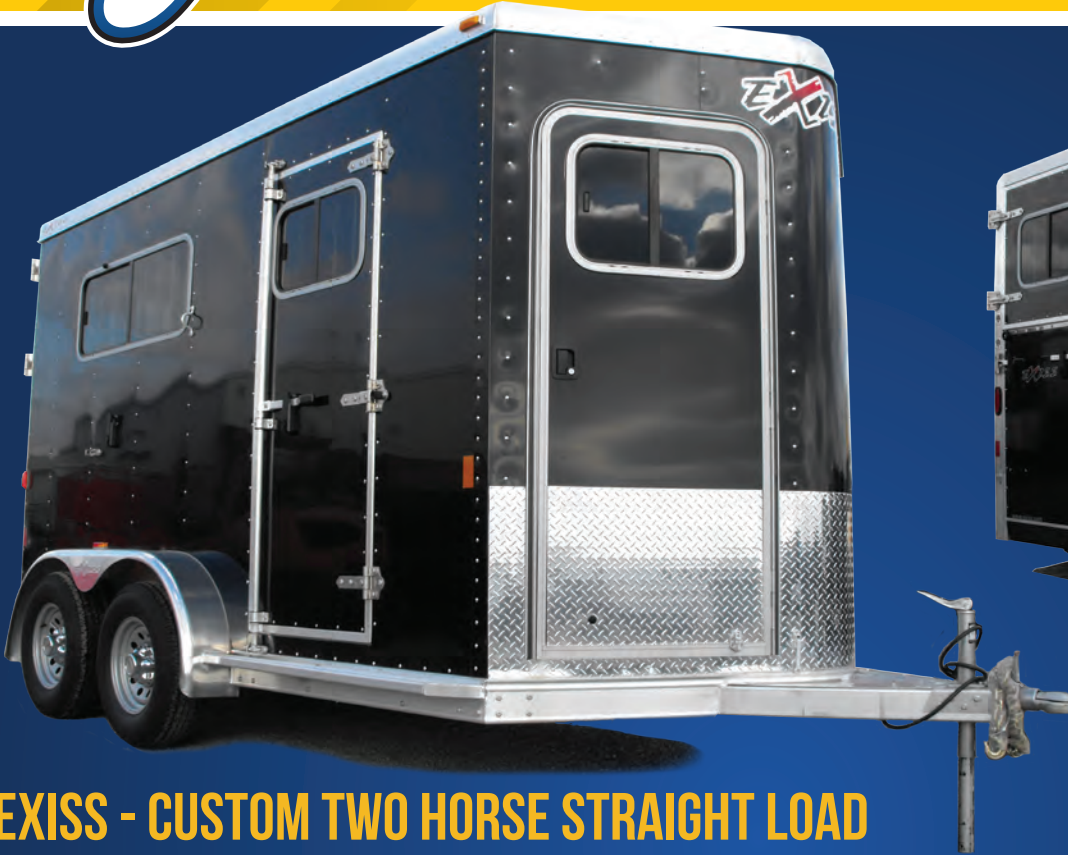


# JENSEN TRAILERS

## SALES & SERVICE



### EXISS - CUSTOM TWO HORSE STRAIGHT LOAD

**38** TRANSFERABLE WARRANTY  
3 YEARS LIMITED / 8 YEARS STRUCTURAL

#### FEATURES:

- Commercial Grade - 7' Wide Platform
- 7' 6" Interior Height
- Full Aluminum Construction
- Slider Windows In Rear Top Curtain Doors
- Rear Ramp Door – Top Curtain Door Combination
- High Polished Aluminum Nose Trim
- Keyed Entry Vice Lock Doors
- 12 Volt Stall Light
- 12 Volt Dress Room Light
- Side Escape Door
- RV Style Dress Room Door
  - o Separate Screen Door
- Dress Room
  - o Saddle Rack
  - o Brush Box
  - o Blanket Bar
  - o Bridle Hooks
- Torsion Axles (3500lb – 6 Bolt Hubs)
  - o 15" – 6 Ply Radial Tires
  - o Brakes On Both Axles
  - o Brake Away Switch & Battery
  - o Chrome Center Caps

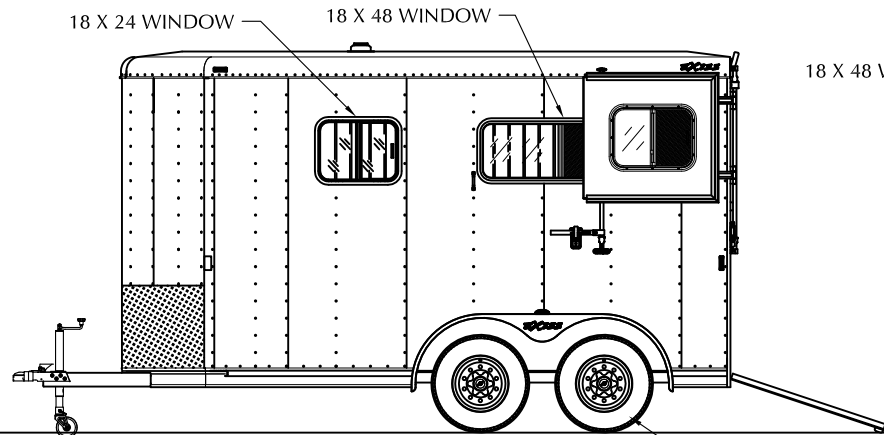


**465 BLOOR STREET WEST**  
 Oshawa, Ontario  
 Take Stevenson Rd. exit off 401

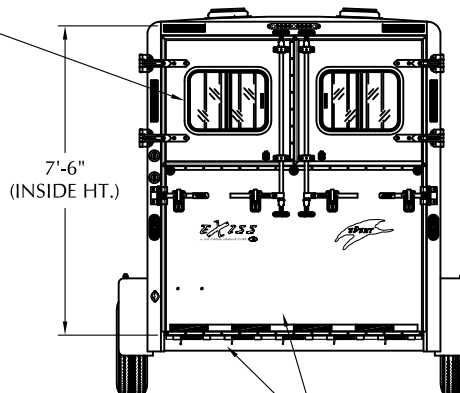
**905.571.2525**  
**1.866.479.1744**

**HOURS OF OPERATION**  
 Mon - Thurs . . . . . 9am - 6pm  
 Friday . . . . . 9am - 5pm  
 Saturday . . . . . 9am - 4pm

**JENSENTRAILERS.COM**



18 X 48 WINDOWS



JENSENTRAILERS  
 CUSTOM EVENT 2010 SS 20 RP  
 HITCH: BUMPER 2 5/16  
 NOSE: 2'-0" BUMPER PULL V-NOSE  
 LENGTH: 12'-6" BELLY  
 WIDTH: 7'-0"  
 HEIGHT: 7'-6"

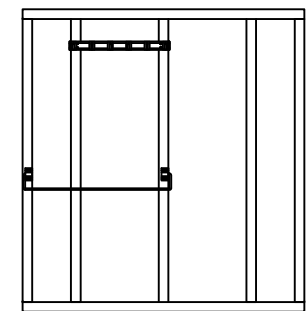
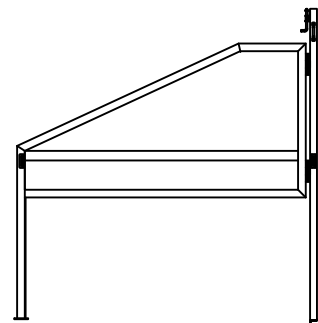
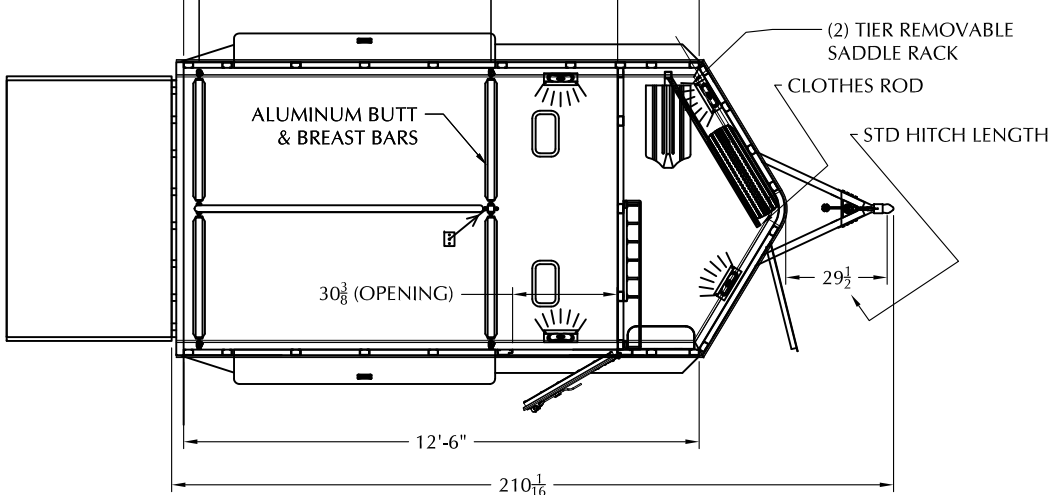
BOB W.  
 AUGUST 18, 2009  
 DIMENSIONS ARE APPROXIMATE  
 AND ARE SUBJECT TO CHANGE  
 WITHOUT NOTICE.

TANDEM 3500 LB. AXLES  
 W/ (5) ST225/75R15 TIRES  
 & 6-HOLE MOD WHEELS

FULL WIDTH .100 RUBBER  
 SPRING COVER

48" TALL FULL WIDTH REAR  
 RAMP W/ DOORS ABOVE

4 1/2"      84 15/16"      36 13/16"      23 3/4"



NOTE: OUR STANDARD WIDTH  
 UNLOAD DOOR IS 36 3/8".  
 THE STANDARD WIDTH DOOR  
 WILL NOT FIT WITHOUT LENGTHENING  
 THE TRAILER OR MOVING THE WALL.

31 7/8" SIDE UNLOAD DOOR W/ 24 X 15 WINDOW

